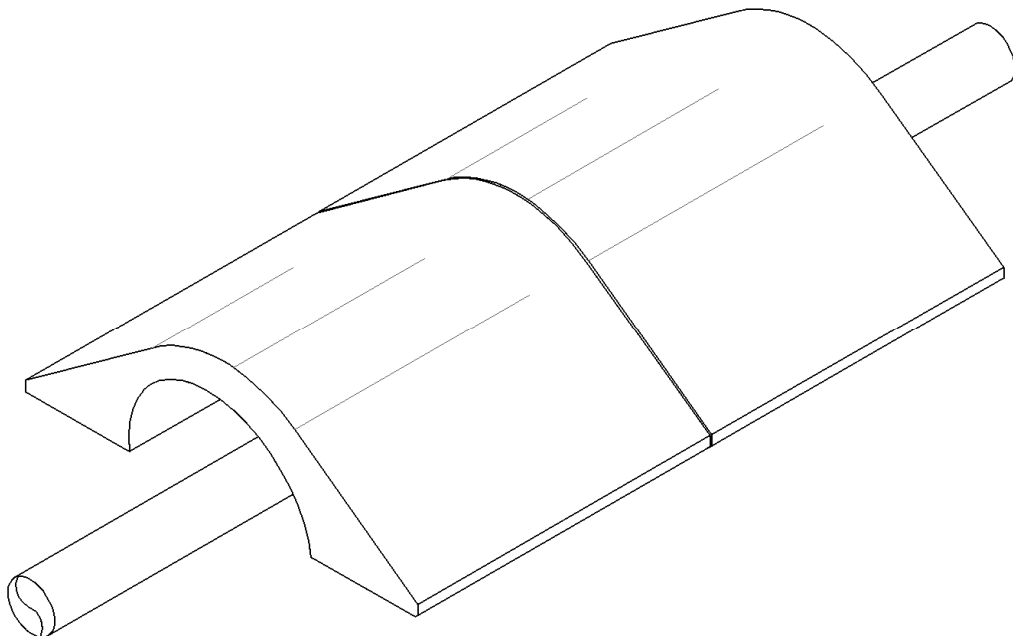


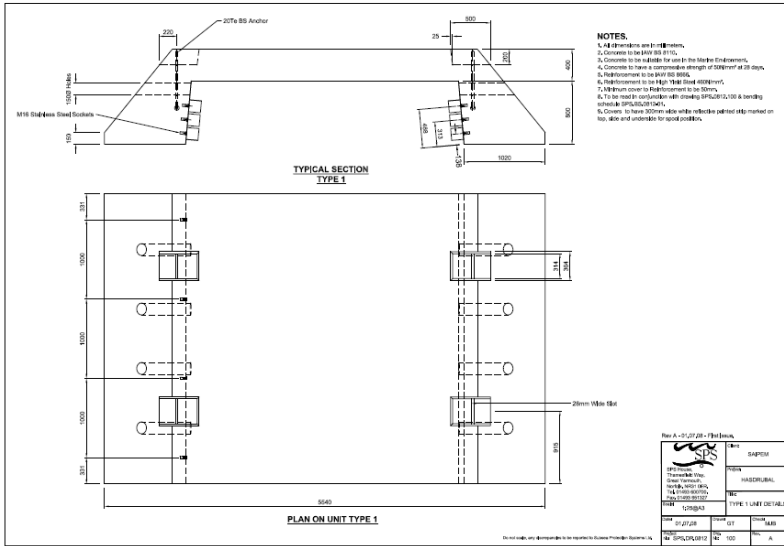


PIPELINE COVERS

PREVIOUS PROJECTS



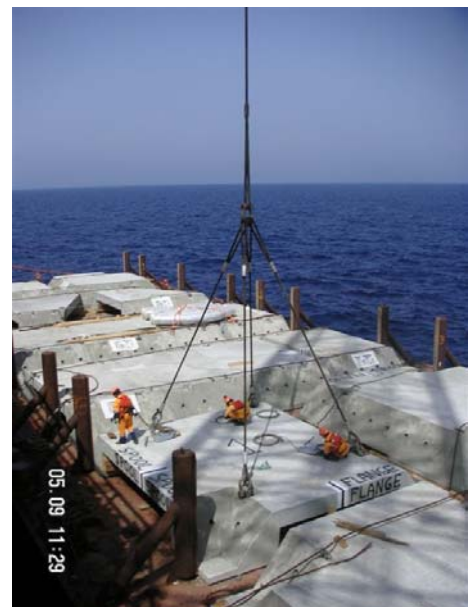
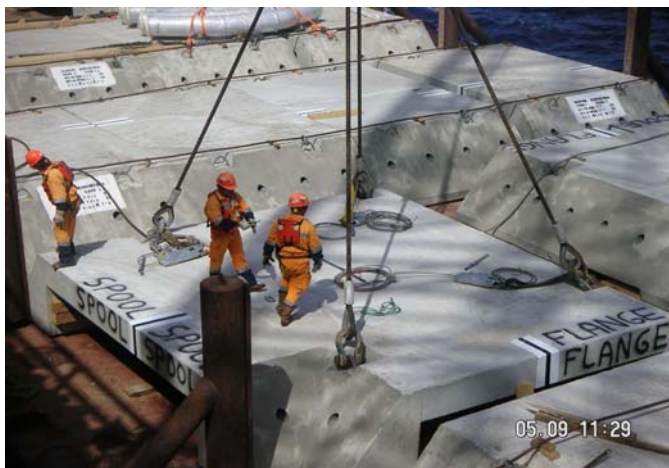
Subsea Protection Systems were contracted by Saipem to design and supply Concrete Covers to protect a new export pipeline in British Gases Hasdrubal field located off the coast of Tunisia.



SPS designed the units to resist impacts up to 200Kj.

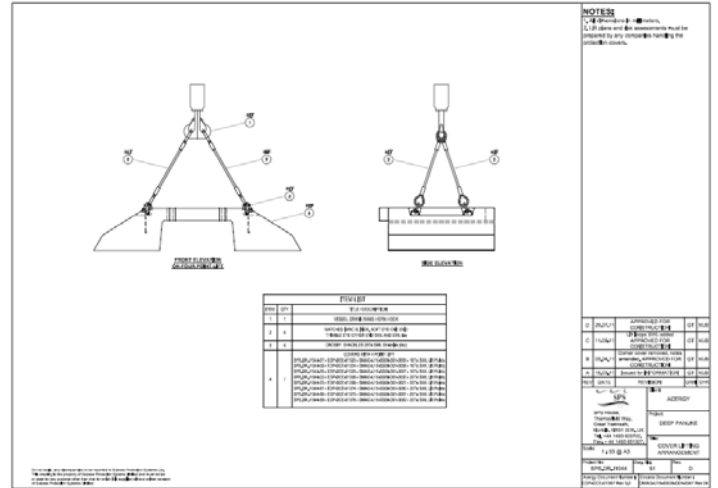
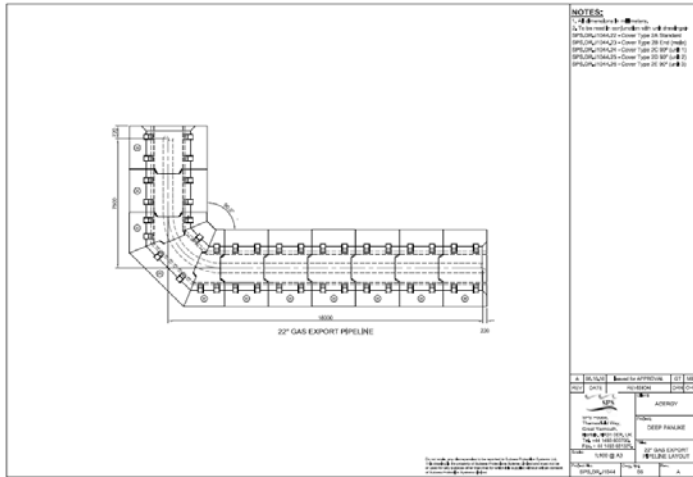


Upon approval of design Subsea Protection Systems set up a production facility in Gabes, Tunisia and manufactured 51 no Concrete Protection Covers.



Encana Deep Panuke Project

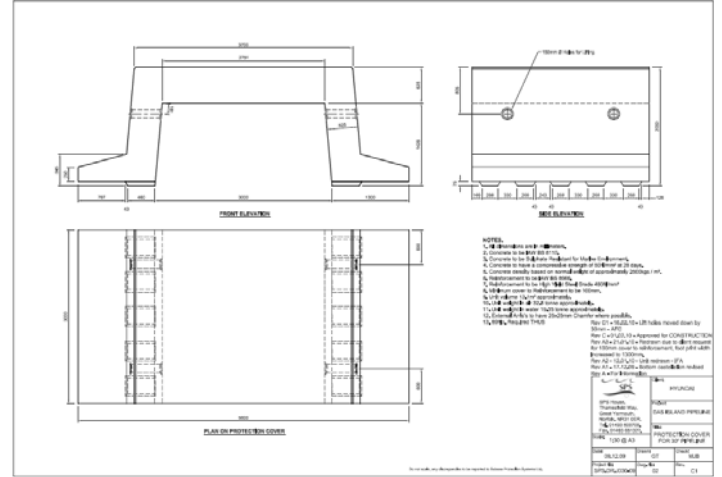
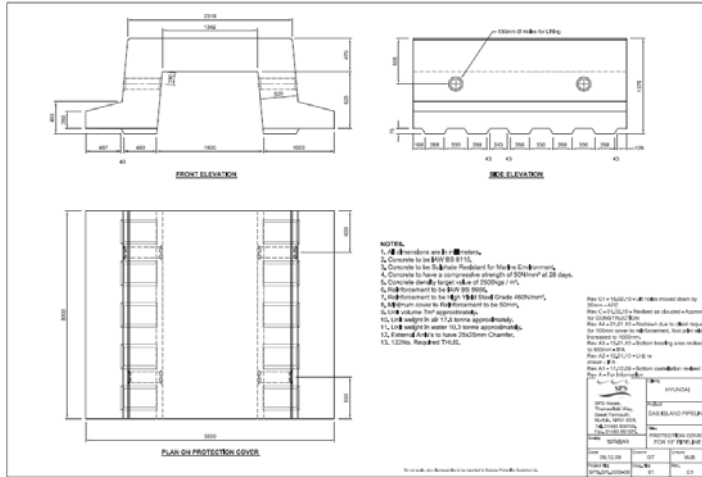
Subsea Protection Systems were awarded by Subsea 7 to design and supply Concrete Covers to protect surface laid pipelines for EnCana's development of Deep Panuke gas field located offshore Nova Scotia. All of the units were designed to resist trawl board impacts up to 180 KN and dropped object impact of 20 KJ.



All of the units were manufactured on SPS's site in Dundee, United Kingdom.



Subsea Protection Systems were contracted by Hyundai Heavy Industries to design and supply 207 Concrete Protection Covers to protect new pipelines on the Das Island project in the Middle East. SPS designed the units to resist dropped object impact loads up to 284 KJ. All of the units were manufactured on SPS's site in Ras Laffan, Qatar.



Saipem Total E & P K4-Z Project

Subsea Protection Systems supplied Saipem Concrete Covers, Crossing Supports & Fleximats for Total's K4-Z facility in the Dutch sector of the North Sea. The covers were used for tie in spool protection and the supports and fleximats were used for umbilical and pipeline crossings.



The concrete covers and fleximats were manufactured out of our facility in Dundee.



The crossing supports and crossing bridges were manufactured out of our Great Yarmouth facility.

Subsea Protection Systems were contracted by Subsea 7 to design and supply over 200 Concrete Protection Covers of varying sizes used for dropped object and overtrawlability protection of spools, umbilicals & cables at ConocoPhillips Jasmine field in the North Sea. SPS also supplied Concrete Fleximats for this project.

All of the units were manufactured on SPS's site in Dundee, United Kingdom.

